

Torque motor RMI 162

Technical data: size RMIF162-xxxL-1V6S

Characteristics and nominal values:

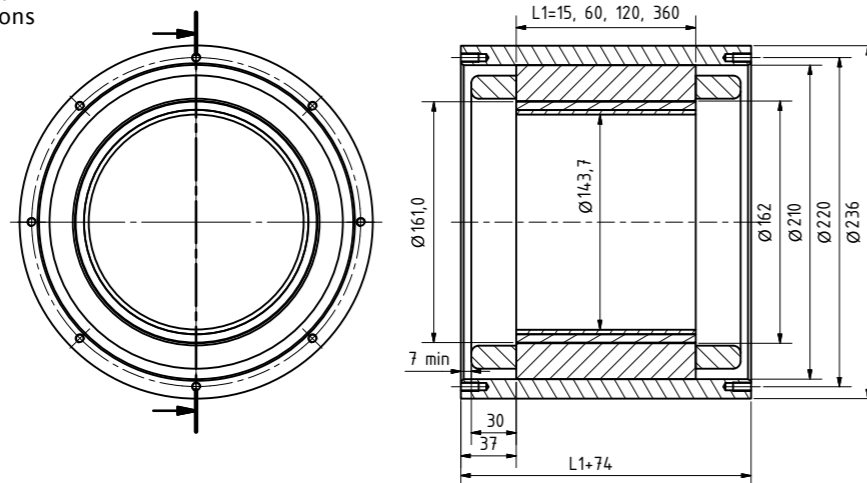
The conditions for the following nominal values are

- DC bus voltage of 560 V (400 V_{AC})
- maximum winding temperature of 140 °C (In.CL.F)
- ambient temperature of 40 °C
- liquid cooling with water-antifreeze

Stack length L1	Unit	015L	060L	120L	360L
Torque constant k_m	Nm/A	←			→ 1,915
Voltage constant k_e	Vs	←			→ 1,564
Back emf U_{ipk}	V _{@1000rpm}	←			→ 165
Terminal inductance L_{tt}	mH	4,107	0,481	0,195	0,056
Terminal resistance R_{tt}	Ω	2,430	0,332	0,143	0,043
Maximum power P_{max}	kW	10,7	84,9	184	572
Maximum torque M_{max}	Nm	71,49	285	571	1.715
Maximum current I_{max}	A	48	192	384	1.152
Thermal resistance R_{th}	K/W	0,054	0,026	0,014	0,012
Continuous stall torque M_0	Nm	35,74	139	284	582
Continuous stall current I_0	A	18,7	72,6	148	304
No-load speed n_0	rpm	←			→ 3.420
Number of poles 2p	-	←			→ 32
Rated torque M_n	Nm	23,79	100,71	241	399
Rated current I_n	A	12,4	44,6	126	208
Rated speed n_n	rpm	3.960	4.000	3.280	3.080
Motor inertia J	kgcm ²	25,32	101,31	202	607
Motor mass frameless m	kg	2,01	8,64	16,27	48,38
Dynamic factor $\dot{\omega}$	rad/s ²	←			→ 28.600

Dimensions of the frameless motor:

- with potted stator
- user manual available on request
- option: customized dimensions



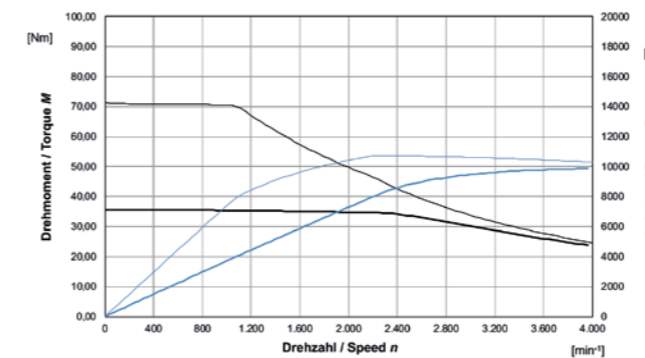
Detailed images:



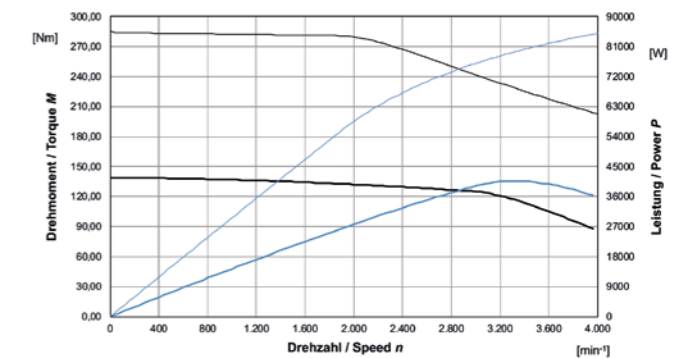
Motor characteristic: size RMIF162-xxxL-1V6S

Options of customization:

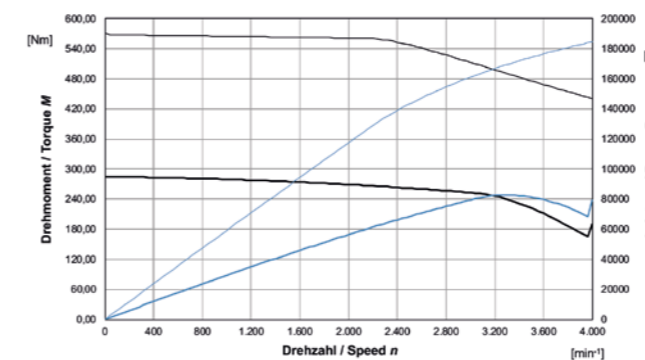
- voltage range from 5 – 750 V
- demand of speed, current and power
- stator frequency up to 2400 Hz
- temperature range -55 °C – +260 °C
- explosion proof increased safety
- vacuum 10⁻⁹ mbar, inert gas atmosphere
- radhard, dose 3 - 10 - 100 MGy-Si
- cooling: liquid, fan, air, oil
- certification on demand UL, Ex, CE
- motor with housing, encoder and brake



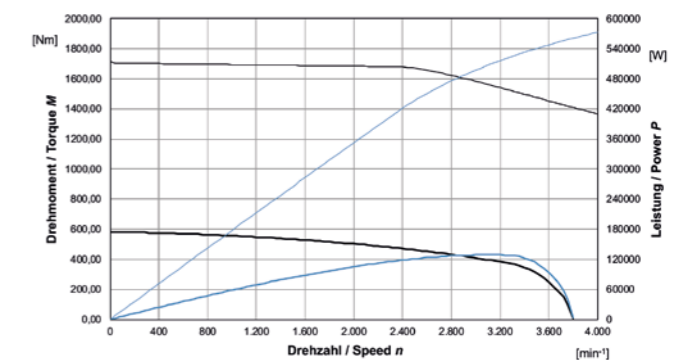
RMIF162-015L-1V6S



RMIF162-060L-1V6S



RMIF162-120L-1V6S



RMIF162-360L-1V6S