

Torque motor RMI 400

Technical data: size RMIF400-2V7L-xxxS

Characteristics and nominal values:

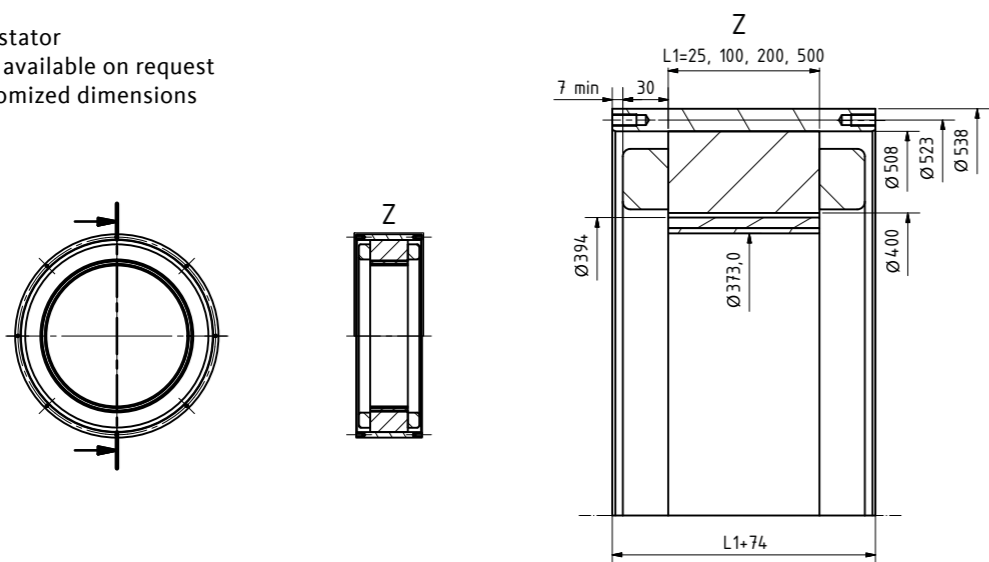
The conditions for the following nominal values are

- DC bus voltage of 750 V (530 V_{AC})
- maximum winding temperature of 140 °C (In.CL.F)
- ambient temperature of 40 °C
- liquid cooling with water-antifreeze

Stack length L1	Unit	025L	100L	200L	500L
Torque constant k_m	Nm/A	←			→ 3,357
Voltage constant k_e	Vs	←			→ 2,741
Back emf U_{ipk}	V _{@1000rpm}	←			→ 287
Terminal inductance L_{tt}	mH	0,194	0,048	0,024	0,010
Terminal resistance R_{tt}	Ω	0,100	0,014	0,006	0,002
Maximum power P_{max}	kW	176	718	1.442	3.614
Maximum torque M_{max}	Nm	730	2.920	5.814	14.603
Maximum current I_{max}	A	242	968	1.936	4.848
Thermal resistance R_{th}	K/W	0,036	0,016	0,009	0,004
Continuous stall torque M_0	Nm	364	1.429	2.800	6.924
Continuous stall current I_0	A	112,7	441	896	2.132
No-load speed n_0	rpm	←			→ 2.613
Number of poles 2p	-	←			→ 80
Rated torque M_n	Nm	252	978	1.954	4.716
Rated current I_n	A	76,6	296	591	1.424
Rated speed n_n	rpm	1.944	1.632	1.008	1.008
Motor inertia J	kgcm ²	850	3.401	6.803	17.008
Motor mass frameless m	kg	17	67	134	335
Dynamic factor $\dot{\omega}$	rad/s ²	←			→ 8.602

Dimensions of the frameless motor:

- with potted stator
- user manual available on request
- option: customized dimensions



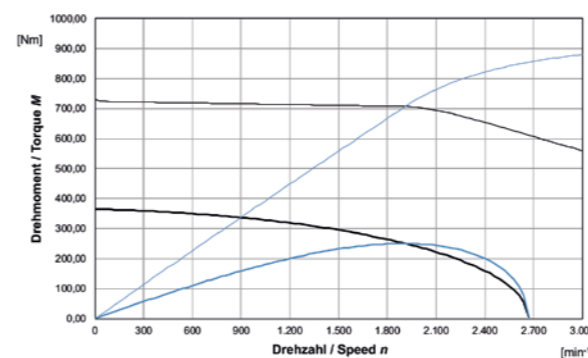
Detailed images:



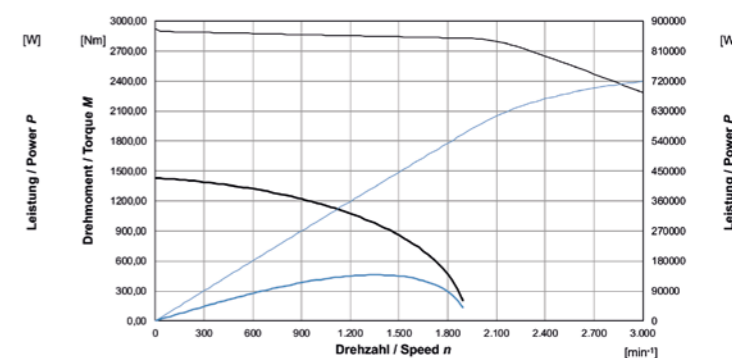
Motor characteristic: size RMIF400-2V7L-xxxS

Options of customization:

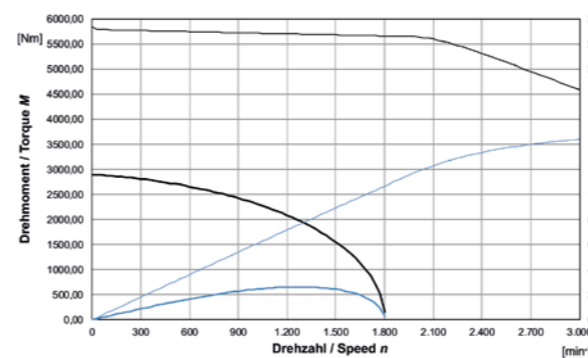
- voltage range from 5 - 750 V
- demand of speed, current and power
- stator frequency up to 2400 Hz
- temperature range -55 °C - +260 °C
- explosion proof increased safety
- vacuum 10⁻⁹ mbar, inert gas atmosphere
- radhard, dose 3 - 10 - 100 MGy-Si
- cooling: liquid, fan, air, oil
- certification on demand UL, Ex, CE
- motor with housing, encoder and brake



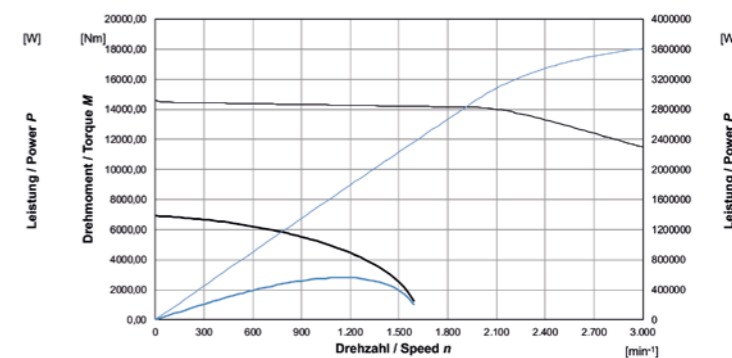
RMIF400-025L-2V7T



RMIF400-100L-2V7T



RMIF400-200L-2V7T



RMIF400-500L-2V7T